

JX450 BACKHOE LOADER

Dimensions (mm):

Overall Length 5919mm
Overall Width 2300mm
Overall Height 3460mm



WUHLF
EQUIPMENT
PTY (LTD)

Key Features

Loader Bucket Size 1.0 m³ • Backhoe Bucket Size 0.3m³

Engine Type: Yuchai • Rated Power: 75kW

Operating Weight: 8600kg • Tyre Size: Front 14-17.5 / Rear 19.5L-24

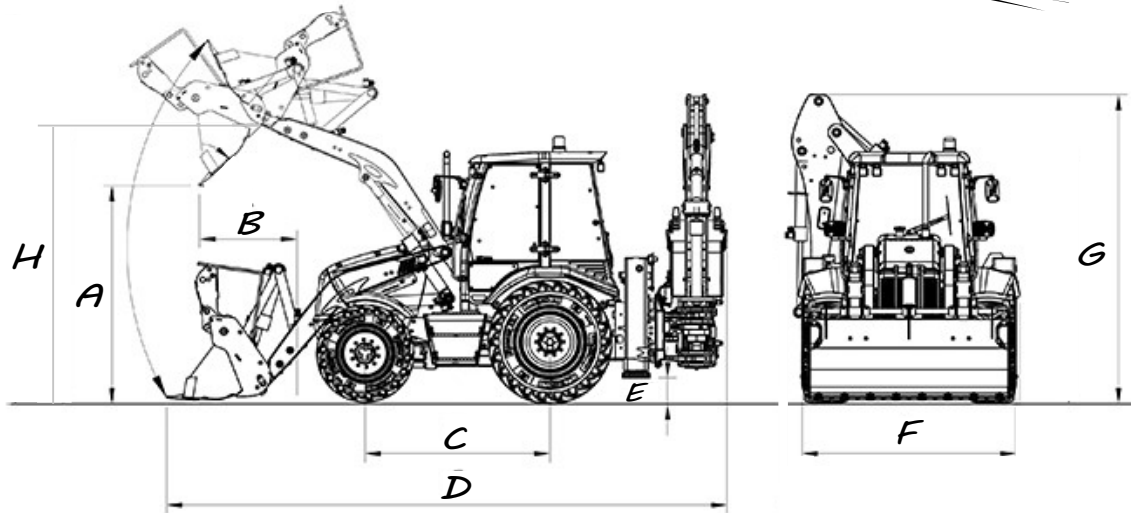
2x4 and 4x4 Application

Quality without compromise

Head Office
Wallmannsthal Offramp
N1 North, Pretoria
Office: +27 (0) 12 548 0263
Office: +27 (0) 12 004 2000
Email: sales@wuhlf.co.za
Website: www.wuhlf.co.za

JX450 Backhoe Loader

Technical Data:



A	Maximum Dump Clearance	2610mm
B	Dumping Reach	1062mm
C	Wheel Base	2200mm
D	Overall Length	5919mm
E	Min Ground Clearance	370mm
F	Overall Width	2300mm
G	Overall Height	3460mm
H	Max Dumping Height	3400mm

<i>Specifications</i>	Loader Bucket Capacity	1.0m ³
	Backhoe Bucket Capacity	0.3m ³
	Breakout Force	38kn
	Min Turn Radius	6581mm
	Load Lifting Capacity	2.5 Ton
	Max Digging Depth	4082mm
<i>Traveling Speed</i>	Forward Low	8 km/ph
	Forward High	24 km/ph
	Reverse Low	8 km/ph
	Reverse High	16 km/ph
<i>Engine</i>	Type	4cyl Diesel
	Rated Power	75kw
	Rated Speed	2400rpm
	Model	Yuchai
<i>Tyres</i>	Front Tyre Size	14-17.5
	Rear Tyre Size	19.5L-24
<i>Tank Capacities</i>	Fuel Tank	145 ℓ
	Hydraulic Oil Tank	145 ℓ
	Engine Oil	20 ℓ
	Gear Box	20 ℓ
	Diff Oil	30 ℓ
<i>Transmission</i>	Type	Hydraulic Torque Converter
<i>Steering</i>	Type	Front Wheel Hydraulic steering
<i>Working Hydraulics</i>	System Type	Hydraulic Joystick Control
	Working System Pressure	12mpa
	Bucket Delivery Time	5.4s
<i>Brake System</i>	Foot brake Type	Dry Brake System

