



**WUHLF
EQUIPMENT
PTY (LTD)**

Head Office
Wallmannsthal Offramp
N1 North, Pretoria
Office: +27 (0) 12 548 0263
Office: +27 (0) 12 004 2000
Email: sales@wuhlf.co.za
Website: www.wuhlf.co.za

WL930 Front-end Loader

Dimensions (mm):

Overall Length	6515mm
Overall Width	2100mm
Overall Height	2950mm
Bucket Width	2250mm



Key Features

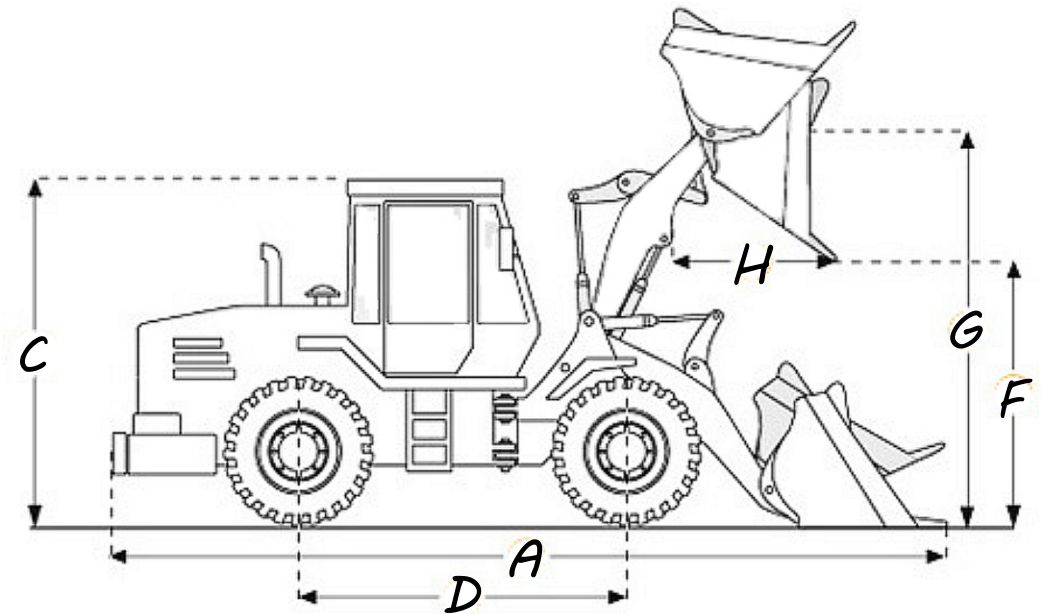
Bucket Size 1.3m³ • Engine Type: YTO 4A4Z-24 • Rated Power: 85kW
Operating Weight: 6500kg • Tyre Size: 16/70/24

Quality without compromise

WL930 Front End Loader

Technical Data:

Specifications	Rated Load	2.7 Ton
	Bucket Capacity	1.3m ³
Engine	Rated Power	85kw
	Rated Speed	2400rpm
	Model	YTO 4A4Z-24
Tyres	Standard Size	16/70/24
Transmission	Type	Hydraulic Torque Convertor
	Pattern	Automatic
	Gear Shift	F2/R2
	Axle	HD Wheel Reduction Axle
Steering	Type	Full Hydraulic articulation steering
	Steering angle	40°
	Working System Pressure	12Mpa
Hydraulics	Type	Hydraulic Joystick Control
	Pump	Gear Driven Hydraulic Pump
	Flow Rate	151L/m
	Working Pressure	16Mpa



A	Overall Length	6515mm
B	Overall Width	2100mm
C	Overall Height	2950mm
D	Wheel Base	2580mm
E	Min Ground Clearance	340mm
F	Max Dumping Height	3600mm
G	Max Dumping Clearance	4096mm
H	Dumping Distance	850mm

